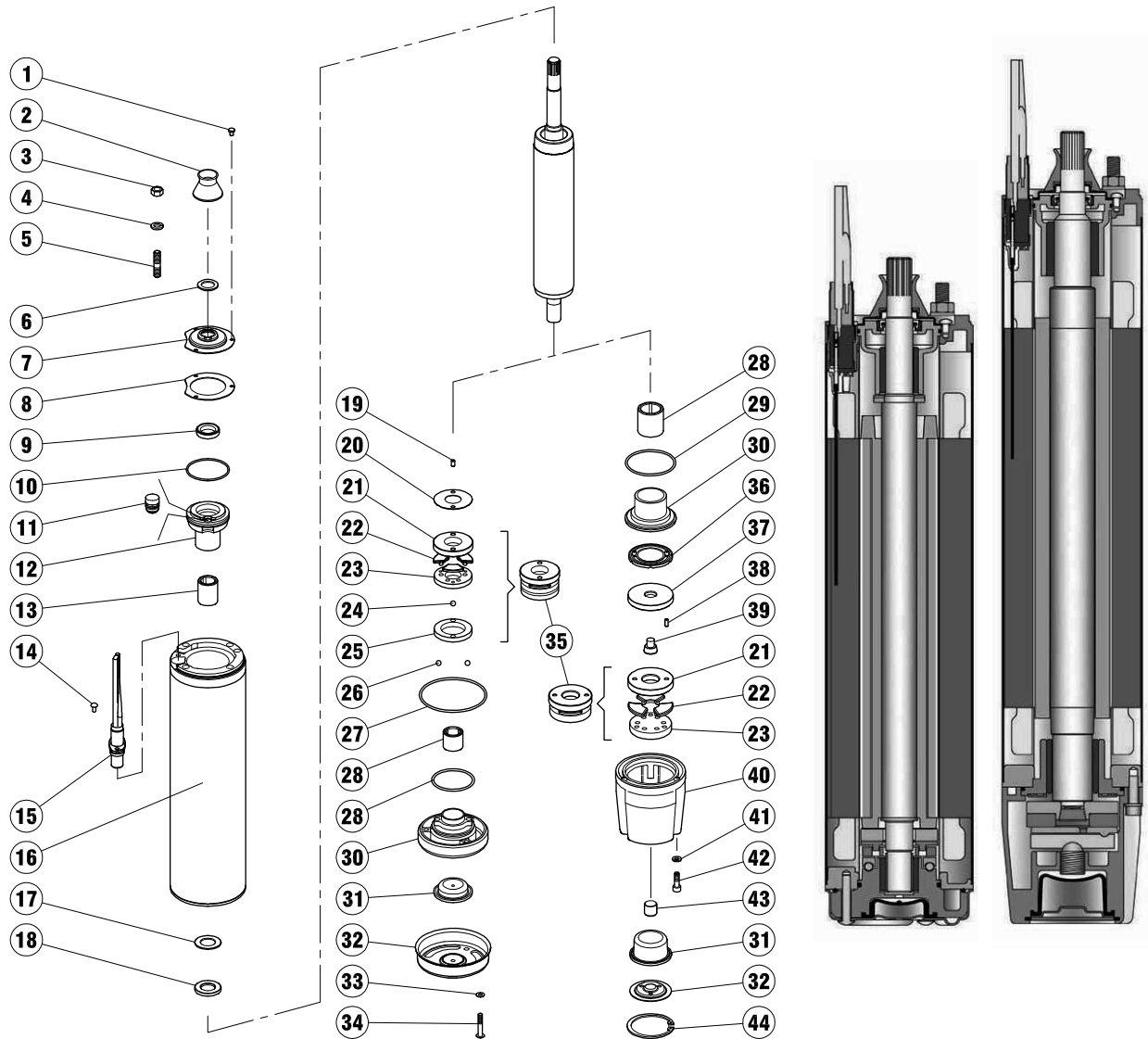
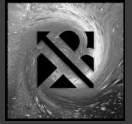


SPACCATO 4"

4" CUTAWAY

COUPE 4"

4F



Pos.	Qt.	Denominazione	Denomination	Denomination
1	3	Vite	Screw	Vis
2	1	Parasabbia	Sand guard	Para-sable
3	4	Dado	Nut	Ecrou
4	4	Rondella	Washer	Rondelle
5	4	Prigioniero	Stud	Goujon
6	1	Anello	Ring	Bague
7	1	Coperchio	Cover	Couvercle
8	1	Filtro	Topping	Filtre
9	1	Guarnizione	Gasket	Garniture
10	1	Anello tenuta OR	O.R. ring	Bague O.R.
11	1	Valvola	Valve	Clapet
12	1	Supporto superiore	Upper support	Support supérieur
13	1	Bussola	Seal bushing	Douille
14	2	Vite	Screw	Vis
15	1	Connettore 4WM	Connector 4WM	Connecteur 4WM
16	1	Statore	Stator	Stator
17	1	Rondella teflon	Washer (teflon)	Rondelle (teflon)
18	1	Rondella	Washer	Rondelle
19	2	Spina cilindrica	Cylindrical plug	Bouchon cylindrique
20	1	Rondella	Washer	Rondelle
21	1	Ralla	Thrust disk	Disque de butée
22	3	Pattino	Thrust sliding	Patins de butée

Pos.	Qt.	Denominazione	Denomination	Denomination
23	1	Disco	Disc	Disque
24	2	Sfera	Ball	Bille
25	1	Disco	Disc	Disque
26	2	Sfera	Ball	Bille
27	1	Anello tenuta OR	O.R. ring	Bague O.R.
28	1	Bussola	Seal bushing	Douille
29	1	Anello tenuta OR	O.R. ring	Bague O.R.
30	1	Supporto inferiore	Power support	Support inférieur
31	1	Membrana	Membrane	Membrane
32	1	Coperchio	Cover	Couvercle
33	3	Rondella	Washer	Rondelle
34	3	Vite	Screw	Vis
35	1	Gruppo reggispira	Complete thrust bearing	Butée complete
36	1	Contropattino	Striker disk	Disque de rep.
37	1	Flangia	Flange	Bride
38	2	Spina cilindrica	Cylindrical plug	Bouchon cylindrique
39	1	Cono	Cono	Cone
40	1	Supporto	Support	Support
41	3	Rondella	Washer	Rondelle
42	3	Vite	Screw	Vis
43	1	Vite di registrazione	Screw	Vis
44	1	Anello elastico	Seeger ring	Bague seeger