

EDV

Applications

The EDV disk filter is used for filtering of water with small and medium sized suspended inorganic particles. The strong structure of the filtering cartridge inside, consisting of a parcel of stacked disks, minimises the risks of damage caused by overpressure or possible water hammer. It can be used both in agriculture and industry.

Materials

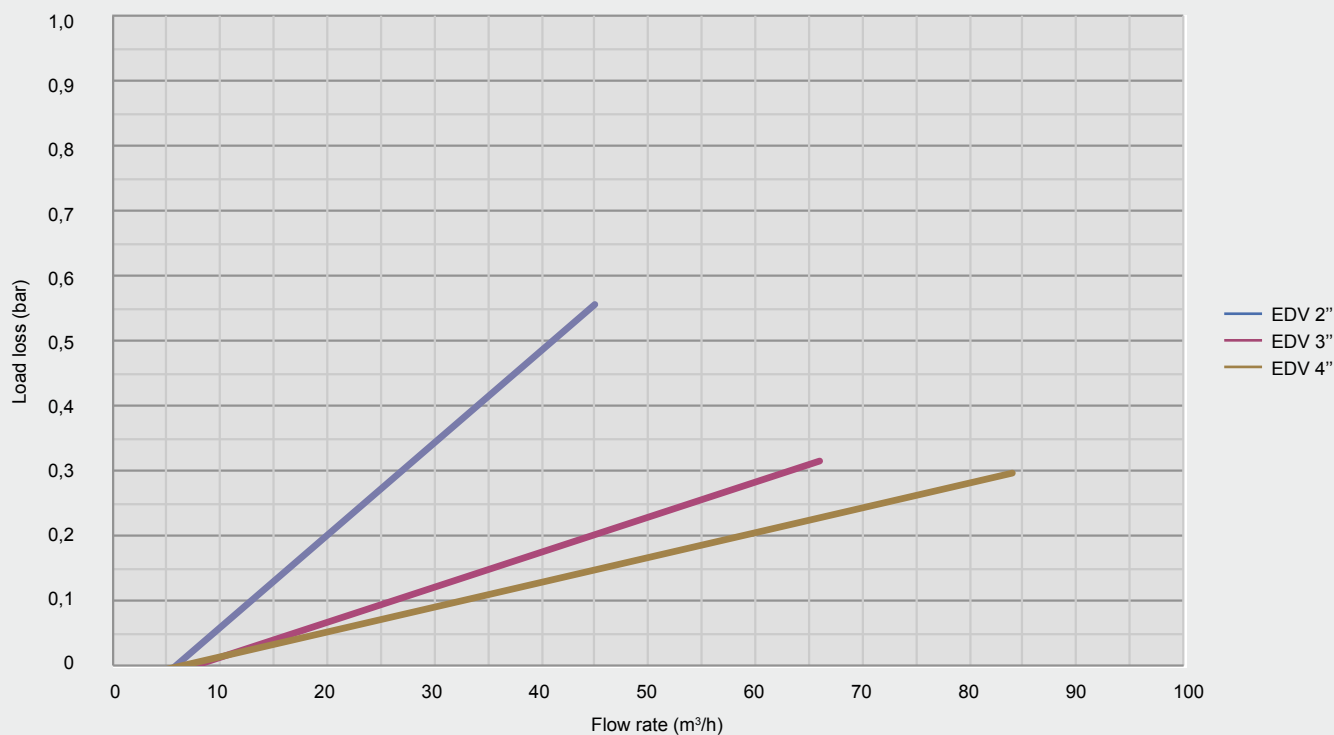
- Body: in sanded metal treated with phosphate zinc and followed by an electrostatic application of a layer of polyester paint, minimum thickness 160 micron, with a protective and anti-corrosion function.
- Filtering element: polypropylene disks.
- Gaskets: EPDM.

Characteristics

- Maximum working pressure: 8 bar
- Standard filtration grade: 120 mesh (filtration available: 80, 120, 150 mesh)
- Types of connection: threaded, flanged, victaulic
- The filter is supplied with a discharge valve



Load loss*



*Testing for load loss was carried out with clean water.

EDV

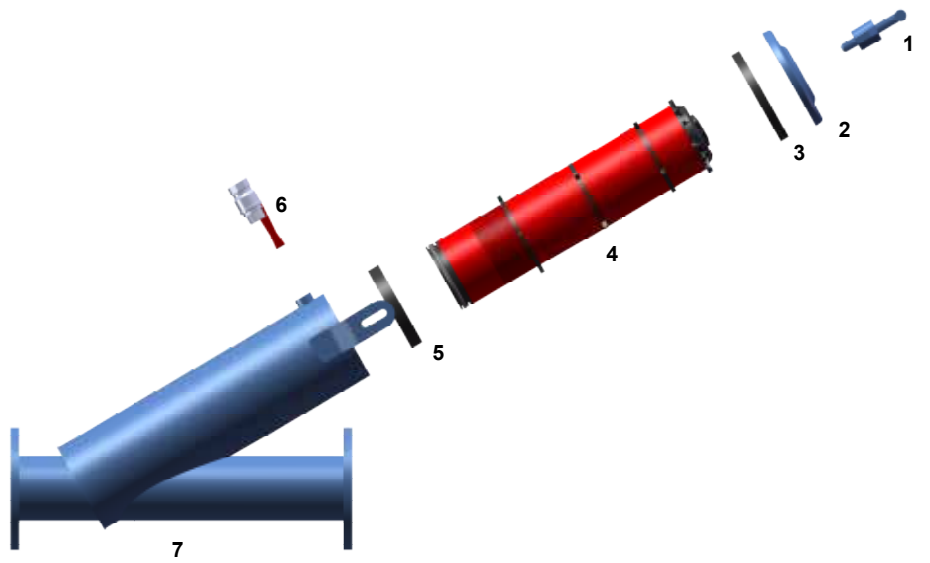
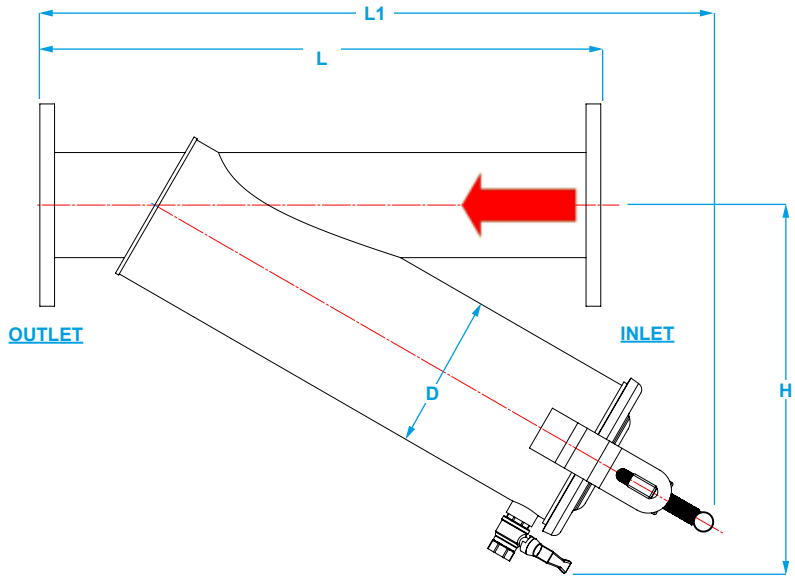
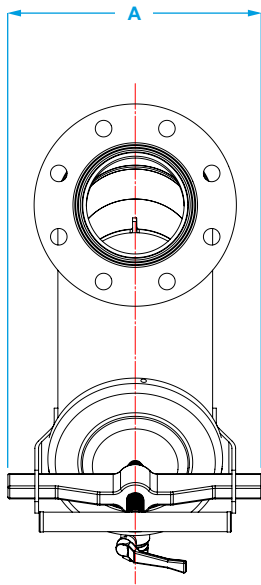
Technical data

Connections	Pricelist ref.	Ø body (mm)	Flow rate (m³/h)	Filtration area (cm²)
2"	IFEDV20H12	168,30	15 - 30	1196
3"	IFEDV30H12	168,30	25 - 40	1402
3"	IFEDV30F12	168,30	25 - 40	1402
4"	IFEDV40H12	219,10	40 - 80	1868
4"	IFEDV40F12	219,10	40 - 80	1868

Connection type: **H** female threaded; **F** flanged; **W** victaulic

Dimensions

L (mm)	L1 (mm)	A (mm)	H (mm)	H1 (mm)	Ø (inches)	Ø1 (mm)	Weight (kg)	
							H - W	F
450	550	275	335	----	----	----	14	----
660	740	275	345	----	----	----	20	27
690	690	275	345	----	----	----	20	27
780	820	275	390	----	----	----	25	34
770	770	275	390	----	----	----	25	34



Components

Number	Description
1	t-handle
2	cover
3	cover gasket
4	disk filtering cartridge
5	internal gasket
6	discharge valve
7	filter body