

# TAF

## Applications

Secondary filtration, safety filtration. Highly efficient and precise filtration. It is usually installed in series, composed of 2 or more filtering elements.

## Materials

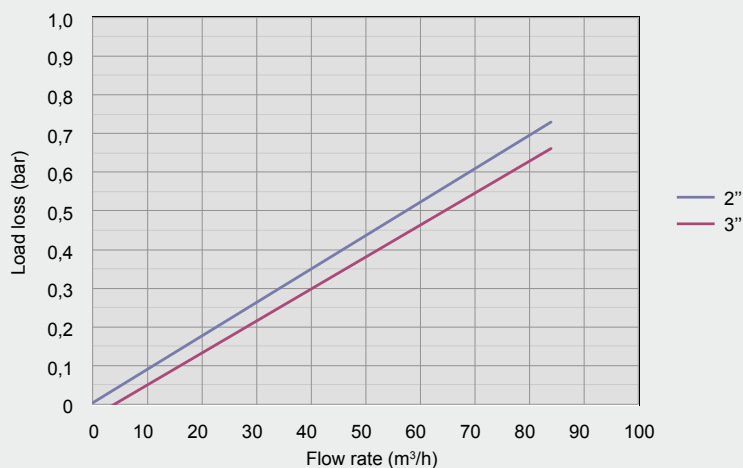
- Body: polyamide reinforced with fibre glass
- Cover: polyamide reinforced with fibre glass
- Closure elements: ring in stainless steel AISI 304
- Filtering element: polypropylene disks
- Gaskets: NBR

## Characteristics

- Maximum working pressure: 10 bar at 20°
- Standard filtration grade: 120 mesh  
(filtration available: 80, 120, 150, 200 mesh)
- Types of connection: threaded, victaulic or flanged
- Manometer coupling: Ø1/4" female
- Installation: on line



## Load loss\*



\*Testing for load loss was carried out with clean water.

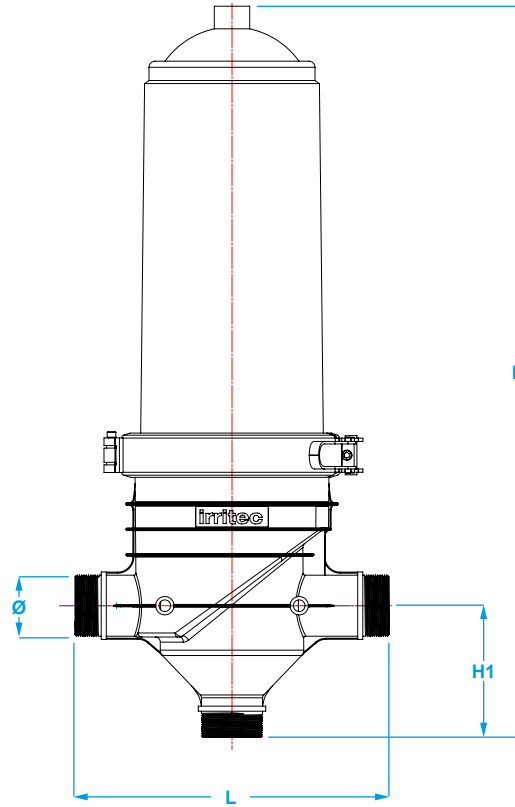
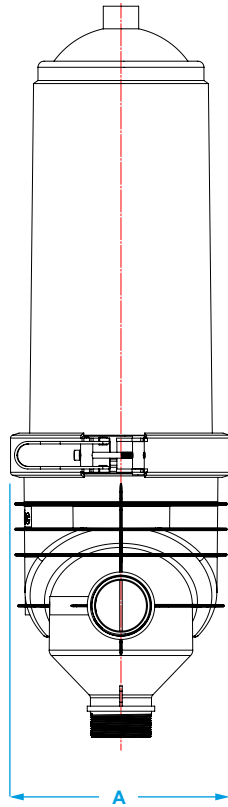
# TAF

## Technical data

Couplings	Pricelist ref.	Filtering cartridge	Rec. max. flow rate (m³/h)	Filtration area (cm²)
2"	IFTAFGEL	automatic	24	1400
3"	IFTAFIEL	automatic	32	1400

## Dimensions

Ø (inches)	L (mm)	A (mm)	H (mm)	H1 (mm)	Weight (kg)
2"	327	250	720	140	8
3"	327	250	720	140	8



## Components

Number	Description
1	cover
2	transparent cover*
3	filtering cartridge automatic 80 mesh
4	filtering cartridge automatic 120 mesh
5	filtering cartridge automatic 155 mesh
6	stainless steel ring
7	cover o-ring
8	filter body



\*only use for demonstration purposes and with pressure not exceeding 4 bar