

YCV

Applications

Secondary filtration in systems for irrigation, safe filtration. It can be installed in wells, outdoors or on fertigation machines.

Materials

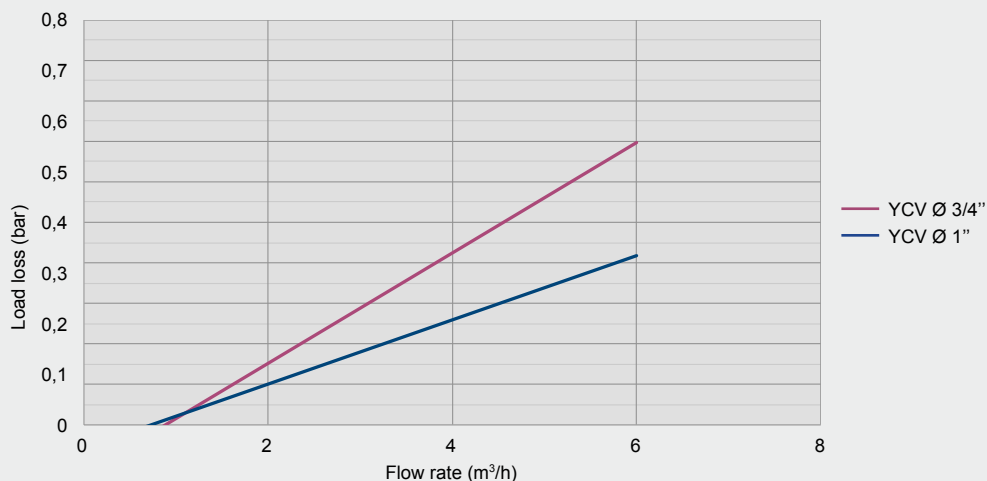
- Body: polypropylene
- Cover: polypropylene
- Filtering element:
 - mesh in stainless steel AISI 304 with polypropylene structure
 - polyester mesh with polypropylene structure
- Gaskets: NBR

Characteristics

- Maximum working pressure: 10 bar at 20°
- Standard filtration grade: 120 mesh
(filtration available: 30, 50, 80, 120, 150, 200 mesh)
- Standard bypass: male threaded BSP and NPT
- The filter can be supplied with the cover fitted (no discharge) or punched (with discharge) with threaded cap
- Resists acids and fertilisers commonly used in agriculture



Load loss*



*Testing for load loss was carried out with clean water.

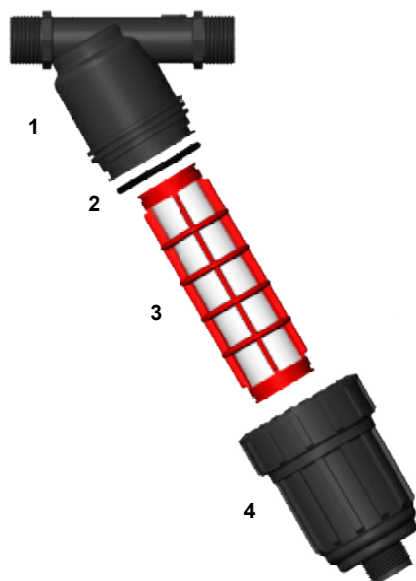
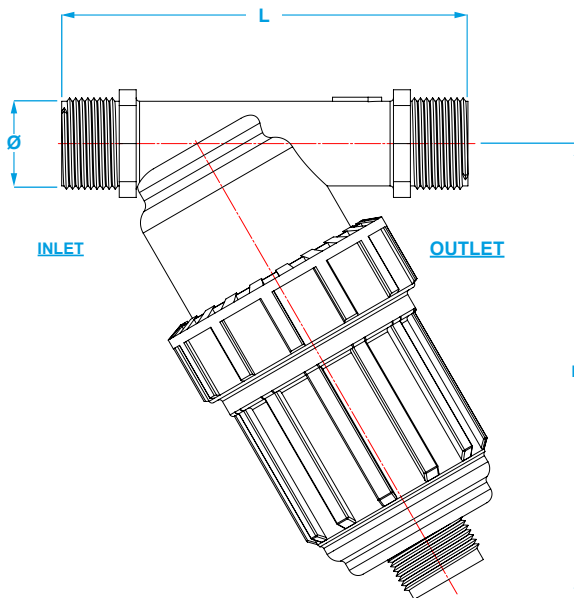
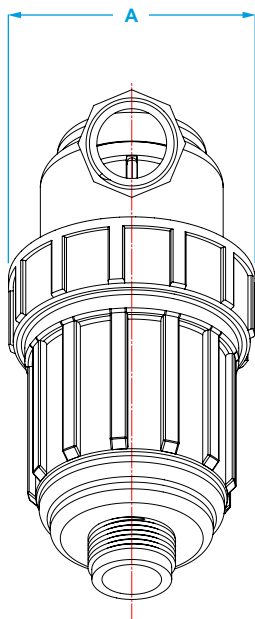
YCV

Technical data

Couplings	Pricelist ref.	Filtering cartridge	Rec. max. flow rate (m ³ /h)	Filtration area (cm ²)
3/4"	IFYCVCIL	s.s.	5	100
	IFYCVCPL	polyester		
1"	IFYCVDIL	s.s.	5	100
	IFYCVDPL	polyester		

Dimensions

Ø (inches)	L (mm)	A (mm)	H (mm)	Weight (g)
3/4"	123	72	135	160
1"	123	72	135	160



Components

Number	Description
1	filter body
2	body gasket
3	complete filtering cartridge
4	cover