

YGG/YGF

Applications

Secondary filtration in systems for irrigation, safe filtration. The disk filter allows high efficiency and filtration precision. It can be installed in wells or outdoors thanks to the excellent UV ray resistance.

Materials

- Body: polypropylene
- Cover: polypropylene
- Closure elements:
 - polyamide ring nut
 - ring in stainless steel AISI 304
- Filtering element:
 - mesh in stainless steel AISI 304 with polypropylene structure
 - polyester mesh with polypropylene structure
 - polypropylene disks
- Gaskets: NBR
- Disks support: glass reinforced polyamide



YGG
with ring nut

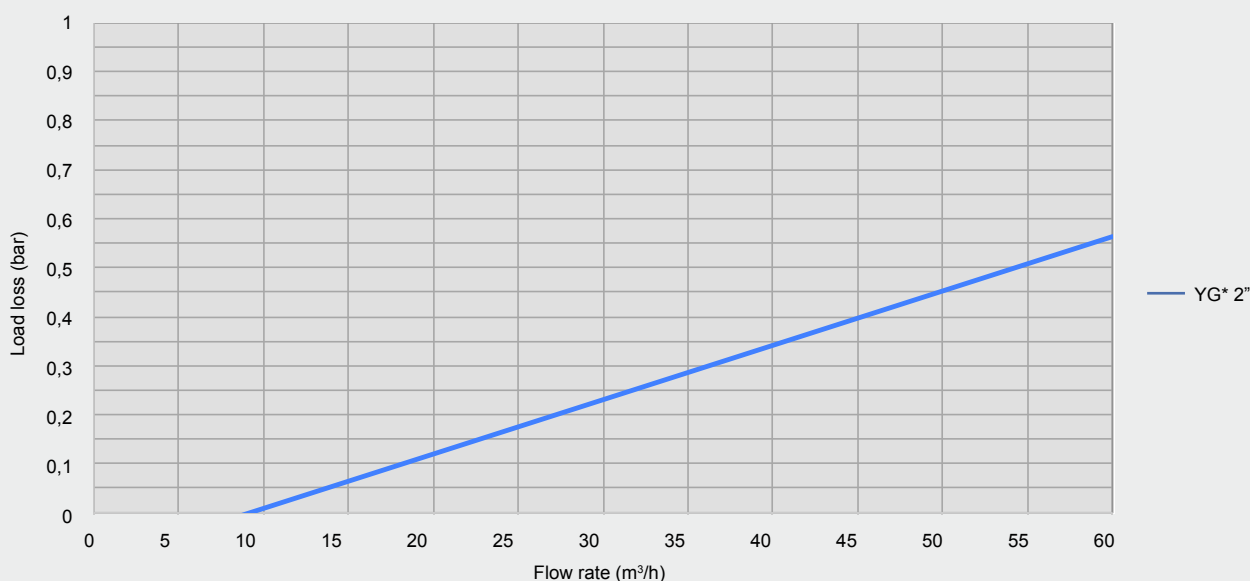


YGF
with S.S. ring

Characteristics

- Maximum working pressure: 8 bar at 20°
- Standard filtration grade: 120 mesh
(filtration available: 50, 80, 120, 150, 200 mesh)
- Standard bypass: male threaded BSP and NPT

Load loss*



*Testing for load loss was carried out with clean water.

YGG/YGF

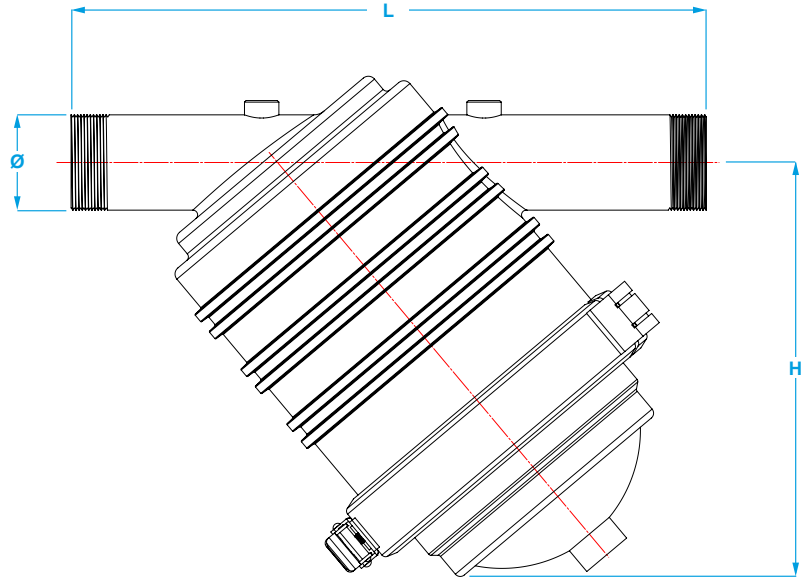
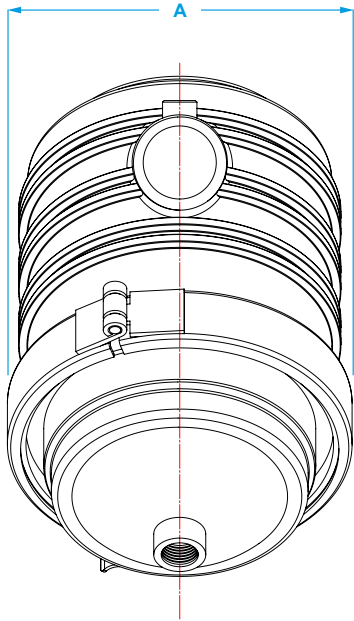
Technical data

Couplings	Pricelist ref.	Filtering cartridge	Rec. max. flow rate (m ³ /h)	Filtration area (cm ²)
2"	IFYG#GIL	s.s.	25	1196
	IFYG#GPL	polyester		1196
	IFYG#GDL	disk		1196

Replace # with G (ring nut) or F (ring)

Dimensions

Ø (inches)	L (mm)	A (mm)	H (mm)	Weight (kg)
2"	400	217	260	3,00
2"	400	217	260	3,20



Components

Number	Description
1A	closure body with ring
1B	closure body with ring nut
2	stainless steel closure ring
3	complete stainless steel screen cartridge
4	complete stainless steel disk cartridge
5A	complete polyester cartridge
5B	polyester mesh
6	or cover
7A	stainless steel ring cover
7B	ring nut cover