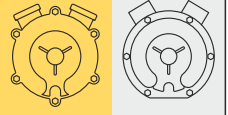


NAUTIC F

POMPE NAUTIC CON FRIZIONE MANUALE NAUTIC PUMP TYPE WITH HAND CLUTCH



NAUTIC 30-40-50 F



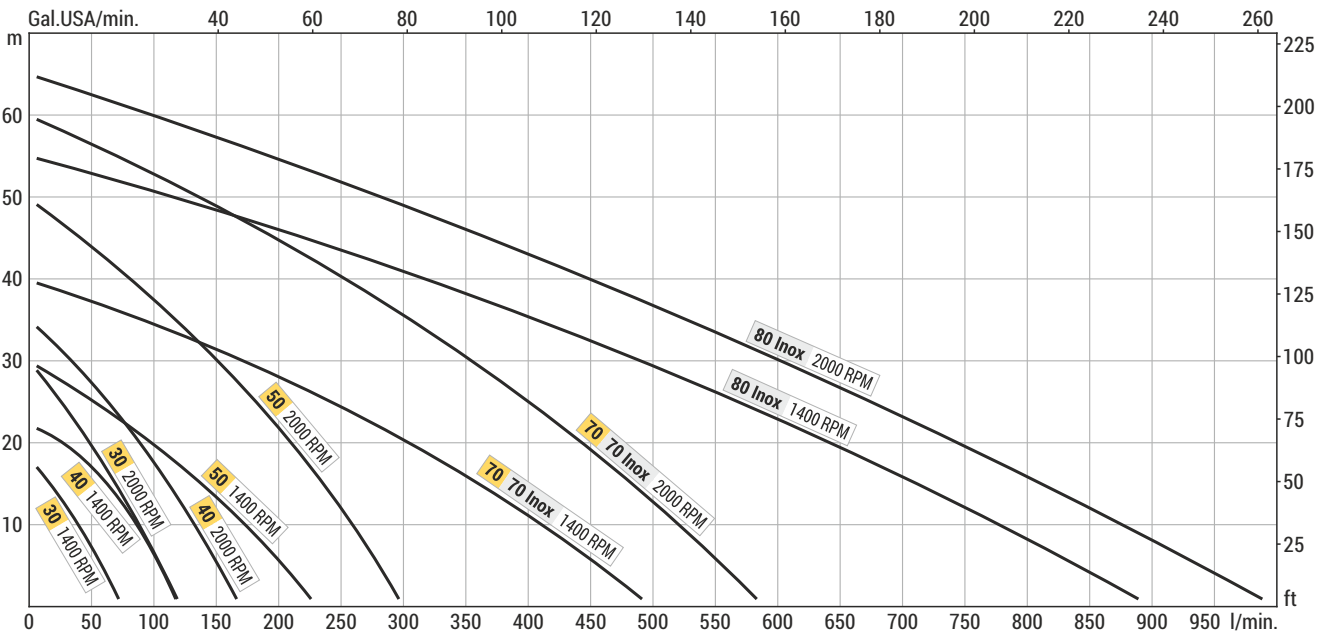
NAUTIC 70 F



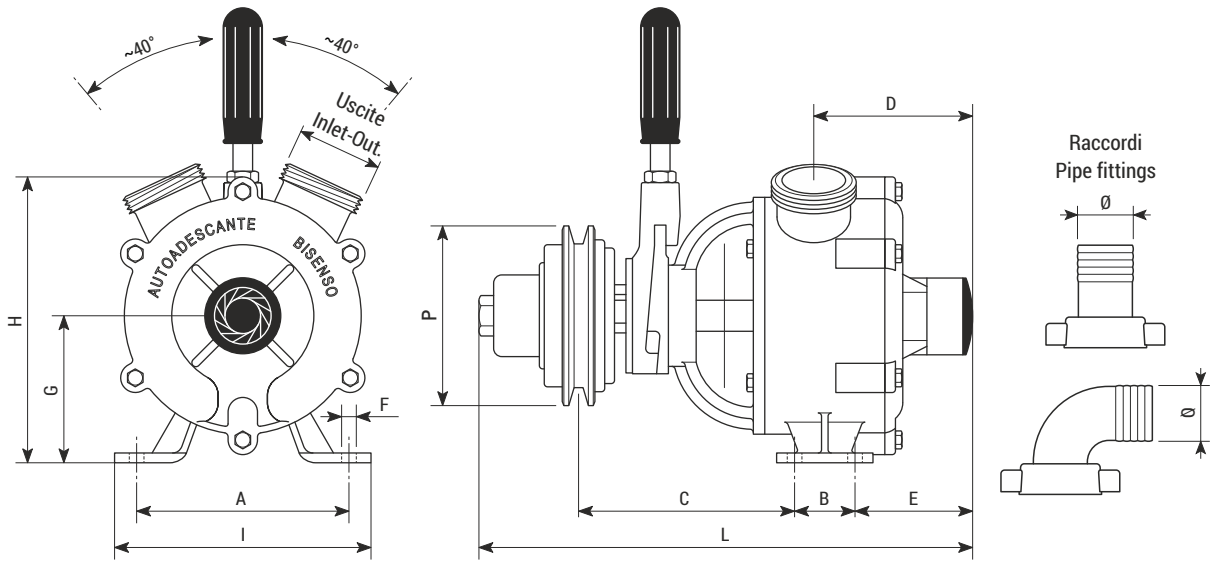
NAUTIC 80 Inox F

Modello Type	Materiale Material	Giri/minuto RPM	kW *	H = Prevalenza (metri) / Head (meters) - Q = Portata (litri/minuto) / Capacity (liters/minute)															
				0	5	10	15	18	22	24	30	35	40	50	55	60	65	H	
NAUTIC 30 F	Bronzo Bronze	standard	1400	0.75	75	60	40	15	0										
		max	2000	1.10	120	105	85	68	55	38	30	0							
NAUTIC 40 F	Bronzo Bronze	standard	1400	1.10	120	105	85	62	45	0									
		max	2000	1.85	170	150	133	110	100	80	70	35	0						
NAUTIC 50 F	Bronzo Bronze	standard	1400	1.85	230	205	175	140	120	80	60	0							
		max	2000	3.0	300	280	260	235	220	200	190	150	120	80	0				
NAUTIC 70 F	Bronzo Bronze	standard	1400	7.5	500	455	415	365	330	280	255	165	90	0					
		max	2000	11.0	590	555	520	485	460	430	410	375	320	255	140	70	0		
NAUTIC 70 Inox F	Inox AISI 316 S.S. AISI 316	standard	1400	7.5	500	455	415	365	330	280	255	165	90	0					
		max	2000	11.0	590	555	520	485	460	430	410	375	320	255	140	70	0		
NAUTIC 80 Inox F	Inox AISI 316 S.S. AISI 316	standard	1400	15.0	900	840	780	720	660	620	580	500	410	310	110	0			
		max	2000	22.5	1000	940	875	810	770	720	690	600	530	450	280	190	100	0	

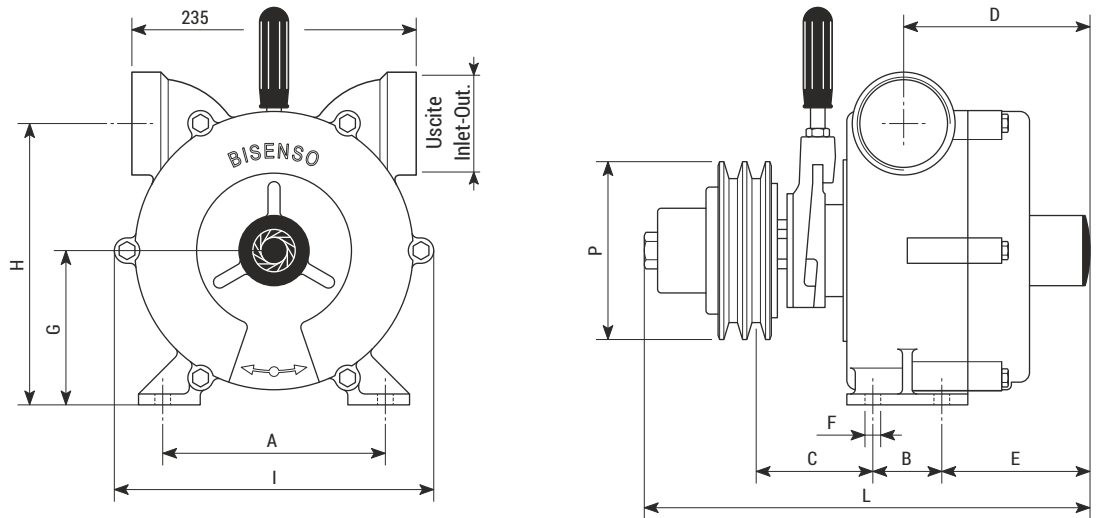
* = Potenza richiesta / Required power



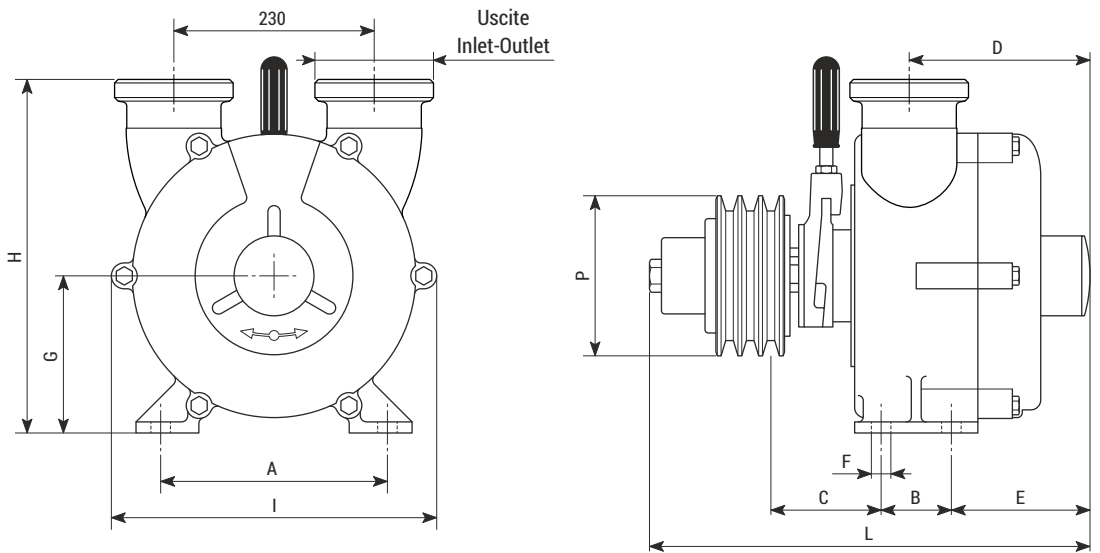
**NAUTIC
30-40-50 F**



**NAUTIC 70 F
NAUTIC 70 Inox F**



NAUTIC 80 Inox F



Tipo Type	Peso Weight	Uscite Inlet-Outlet	Raccordi Pipe fittings	Dimensioni (mm) / Dimensions (mm)										
				A	B	C	D	E	F	G	H	I	L	P
NAUTIC 30 F	8.8 kg	BSP-M 1"1/4	Ø30	130	28	124	85	70	Ø9	90	175	157	280	Ø110x1A
NAUTIC 40 F	10.5 kg	BSP-M 1"1/2	Ø40	130	37	130	105	76	Ø9	90	175	157	305	Ø110x1A
NAUTIC 50 F	15.6 kg	BSP-M 2"	Ø50	160	40	160	125	91	Ø11	120	225	188	365	Ø110x2A
NAUTIC 70 F	28.9 kg	BSP-F 2"1/2	n.d.	184	57	97	144	110	Ø13	128	231	260	355	Ø147x2B
NAUTIC 70 Inox F	28.9 kg	BSP-M 2"1/2 *	n.d.	184	57	97	144	110	Ø13	128	231	260	355	Ø147x2B
NAUTIC 80 Inox F	42.0 kg	Garolla 80	n.d.	250	60	110	181	144	Ø13	160	327	315	428	Ø167x3B

rif. UNI 5266

* = Uscite standard BSP (Gas), altre uscite disponibili p.30 / Standard inlet-outlet BSP (Gas), different inlet-outlet are available see p.30
n.d. = Raccordi non disponibili / Pipe fittings not available