

C65

WATER HEATER

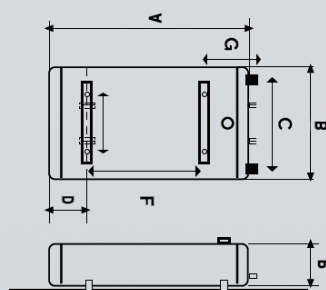
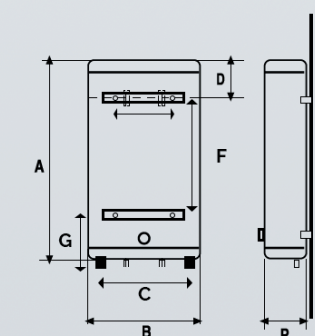


C65



- NEW DESIGN
- FLAT SHAPE
- SMART THERMOSTAT
- BETTER PERFORMANCES

Models	Thermal Dispersion 65° (Kwh/24h)	Power Watts*	Voltage Volts	Heating Time dt 50°C	Max Temperature C°	Max Pressure (bar)	Humidity Protection	Class Insul.	Profile	Energy Class
C65-16	0,42	2x800	230	120'	50	8	IPX4	I	M	B
C65-24	0,42	2x1200	230	80'	50	8	IPX4	I	M	B



Horizontal and vertical installation

TWO TANKS AND TWO HEATING ELEMENTS

Models	A mm	B mm	C mm	D mm	E mm	F mm	G mm	P mm
C65	850	470	410	240	385	410	250	250





VACATION MODE

for long periods of absence from home, select Vacation Mode



MANUAL MODE

Water temperature is kept constant. You can set the temperature with the touch-panel.



SMART MODE

You can choose between 4 different levels of Comfort

Bandini
WATER HEATERS

Via Po, 11 53036 Poggibonsi (Siena) ITALY
www.bandiniwaterheaters.com