

SLIM

HORIZONTAL

45 / 60 *lt*

Electric water heater with “SLIM” profile, horizontal installation

+ Why to choose it:

- To meet those needs for installation where smaller dimensions will be crucial.
- the special profile of the “SLIM” boiler guarantees a better heating performance compared to classic models
- the special profile of the “SLIM” boiler guarantees a better resistance to water pressure



TECHNICAL DATA

* the indicated power is the one suggested by the manufacturer for the best combination of performance / energy saving, other powers are also available on customer request

	SLIM 45	SLIM 60
Thermal Dispersiom 50° (KWh/24h)	0,79	0,86
Power (W)	1500	1500
Voltage (V)	230	230
Heating time (Δt 50°)	130'	175'
Max working temperature (C°)	65°	65°
Max working pressure (bar)	8	8
Protection against humidity	IPX4	IPX4
Insulation class	I	I
Profile	M	M
Energy Class	C	C

+ **INCREASED MAGNESIUM ANODE,**
FOR TOTAL PROTECTION AGAINST
VACANT CURRENTS

+ **GLASS ENAMELED**
TANK

+ **ABSENCE OF CFC;**
POLYURETHANE FOAM
FOR ECOLOGICAL THERMAL
INSULATION

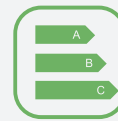
+ **SPACE SAVING** PROFILE



**COPPER
HEATING ELEMENT**



**SMOKE
CONTROL**



**ERP
2017**



**MAGNESIUM
ANODE**



**LED
CONTROL**



**ROHS
COMPONENT**

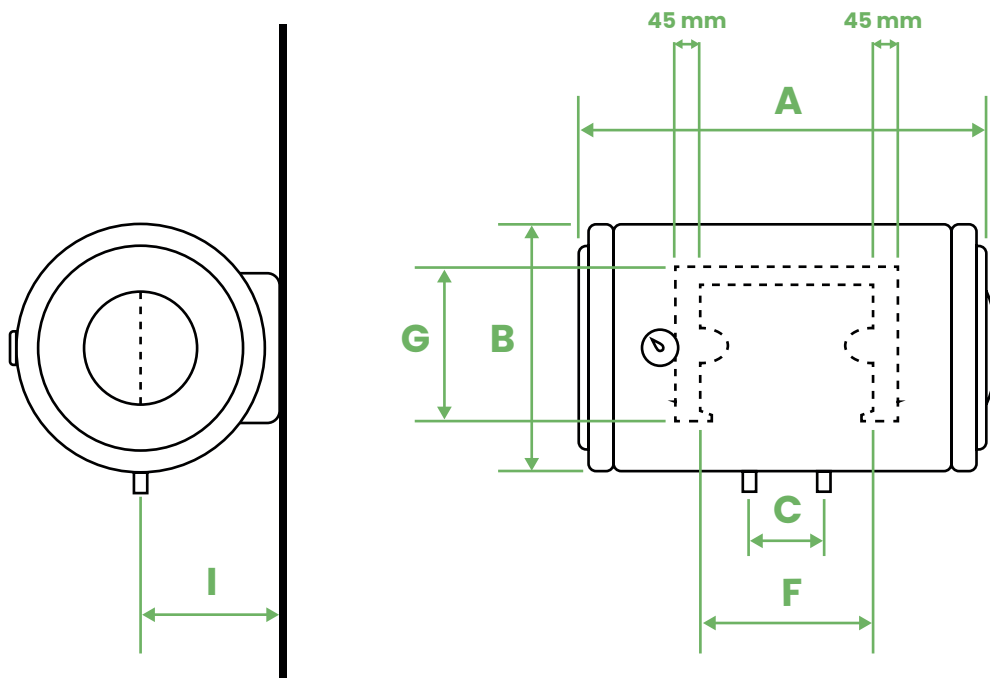


**POLYURETHANE
FOAM CFC FREE**



THERMOSTAT

DIMENSIONS



	A	B	C	F	G	I
SLIM 45	700 mm	370 mm	100 mm	425 mm	350 mm	200 mm
SLIM 60	850 mm	370 mm	100 mm	575 mm	350 mm	200 mm