

# SO/T

 80 / 100 / 120 / 150 / 200 *lt*

Thermoelectric water heater  
 with serpentine  
 Horizontal (right serpentine connections or  
 left at choice)

## + Why to choose it:

- It was created to be combined with the system central heating of the house, so as to benefit from the heat exchange indirect, and reduce energy consumption.

- It has a classic resistance in support of the heat released by the internal coil, to bring the water up to temperature desired

\* refers to electric operation only, without thermal energy

## TECHNICAL DATA

	SO/T 80	SO/T 100	SO/T 120	SO/T 150	SO/T 200
Thermal Dispersiom 50° (KWh/24h)	1,61	1,66	2,02	2,29	2,55
Power (W)	1500	1500	1500	2000	2000
Voltage (V)	230	230	230	230	230
Heating time (Δt 50°)	232'	245'	280'	310'	372'
Max working temperature (C°)	65	65	65	65	65
Max working pressure (bar)	8	8	8	8	8
Protection against humidity	IPX4	IPX4	IPX4	IPX4	IPX4
Insulation class	I	I	I	I	I
Profile	M	M	L	XL	XL
Energy Class	C	C	C	C	C

## EFFICIENCY COIL / HEAT EXCHANGER

**LOAD MAX 80%**

S mq	0,258	0,258	0,258	0,296	0,296
Load capacity mc/h	0,6	0,6	0,6	0,68	0,68
Kw eff. Δt 35° C	8,5	8,5	8,5	9,8	9,8
Load loss MBAR	30	30	30	38	38
Exchanger connections	1/2" FEMALE	1/2" FEMALE	1/2" FEMALE	1/2" FEMALE	1/2" FEMALE



**PRODUCT EQUIPPED WITH INTERNAL COIL** TO EXPLOIT THE HEAT EXCHANGE OF THE HEATING SYSTEM



**GLASS ENAMELED TANK**



**ABSENCE OF CFC; POLYURETHANE FOAM** FOR ECOLOGICAL THERMAL INSULATION



**HUMIDITY PROTECTION CLASS IPX4**



**COPPER HEATING ELEMENT**



**THERMOSTAT**



**LED CONTROL**



**ROHS COMPONENT**



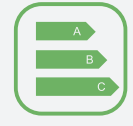
**MAGNESIUM ANODE**



**POLYURETHANE FOAM CFC FREE**

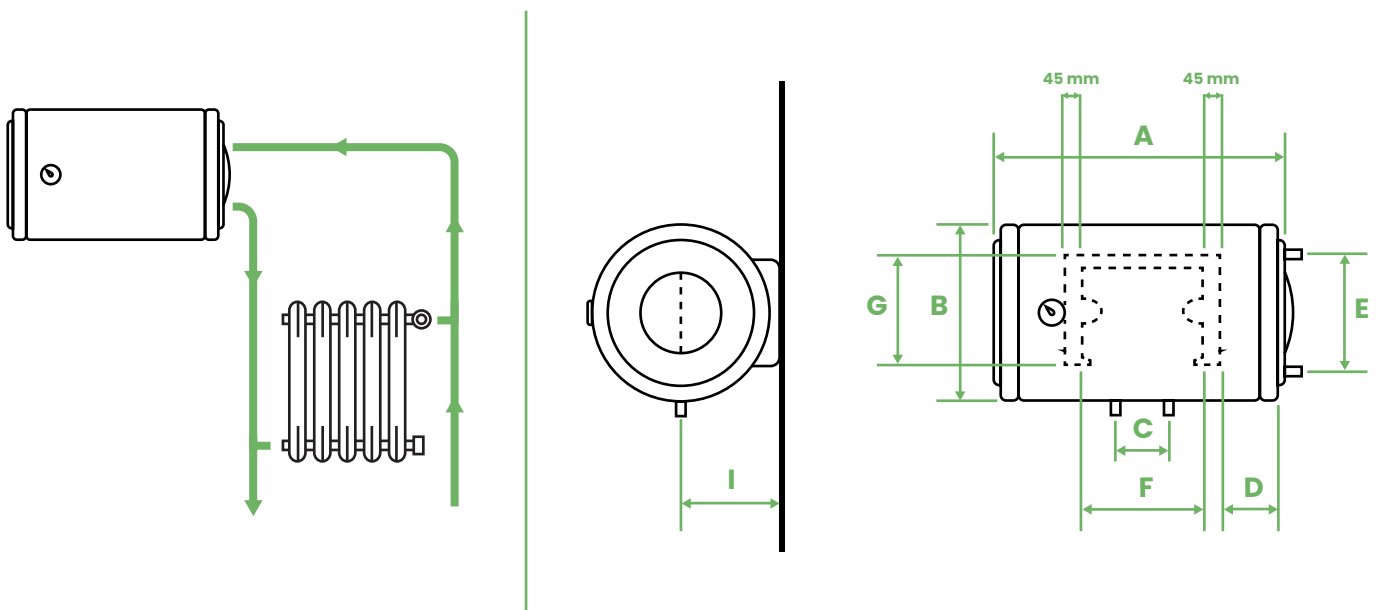


**SMOKE CONTROL**



**ERP 2017**

## DIMENSIONS



	A	B	C	D	E	F	G	I
<b>so/T 80</b>	700 mm	460 mm	100 mm	145 mm	260 mm	330 mm	350 mm	240 mm
<b>so/T 100</b>	805 mm	460 mm	100 mm	145 mm	280 mm	435 mm	350 mm	240 mm
<b>so/T 120</b>	1000 mm	460 mm	100 mm	210 mm	280 mm	510 mm	350 mm	240 mm
<b>so/T 150</b>	935 mm	550 mm	140 mm	207 mm	365 mm	450 mm	350 mm	285 mm
<b>so/T 200</b>	1105 mm	550 mm	140 mm	187 mm	365 mm	640 mm	350 mm	285 mm