



# WHEN THINGS GET ROUGH BURYING FERTILIZER SPREADER

## BURYING FERTILIZER SPREADER

The fertilizer spreader is a machine that allows to burying any type of manure or fertilizer under 15/20 cm under the vineyard or orchard row, to avoid any dispersion caused by rain.

The even distribution of the loaded product is ensured by a worm-conveyor, driven by hydraulic power. The compost is unloaded under the soil by tubes fitted behind the anchors. The unloading amount is setted by single valves separately. The unload process can be stopped fastely by a general valve.

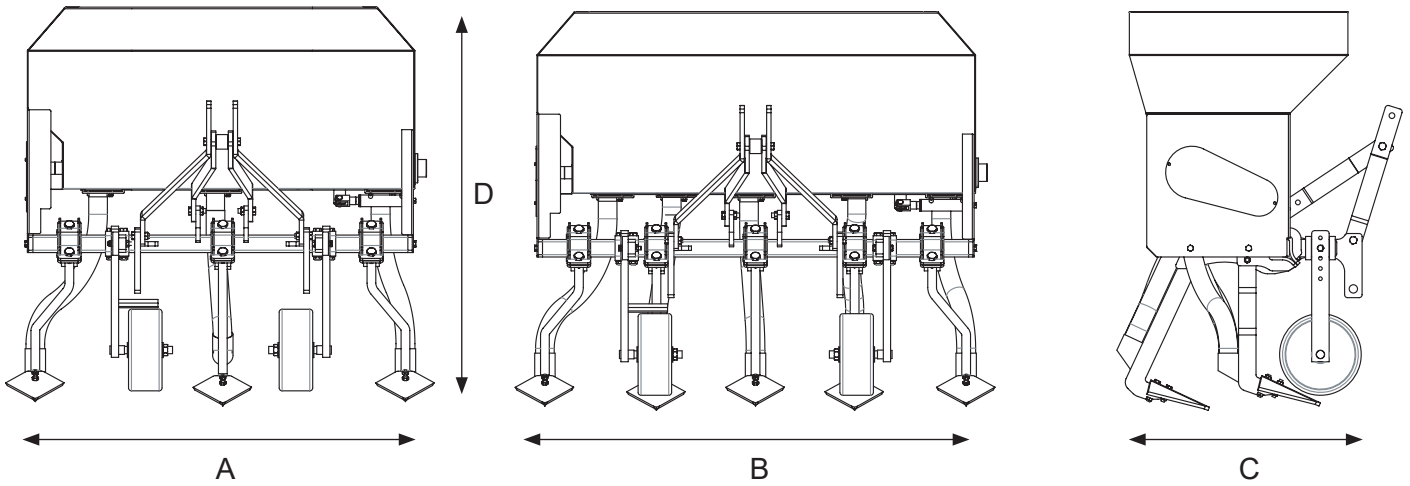
Perfect for green manure sowing. It is equipped with iron or stainless steel container and wheels for depth adjusting. Available with three or five tines. Dolmec burying fertilizer spreaders are mounted to a tractor by three point linkage system.





# WHEN THINGS GET ROUGH BURYING FERTILIZER SPREADER

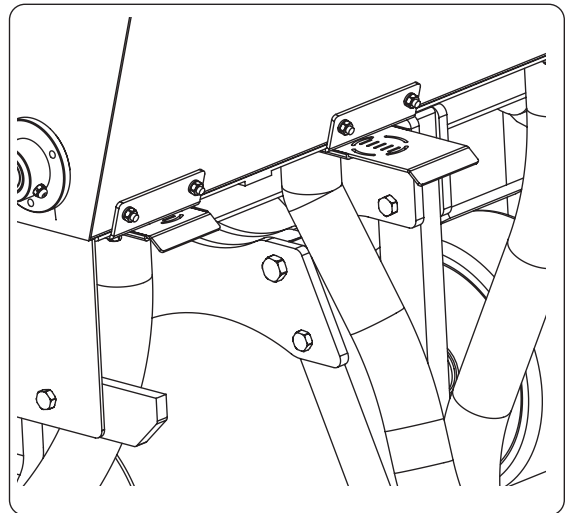
## TECHNICAL DATA



Description	Model	A	B	C	D	Tank Capacity	weight
Burying fertilizer spreader 3 tines - iron tank	SI3VF	1250 mm.	○	780 mm.	1280 mm.	380 lt.	Kg. 260
Burying fertilizer spreader 3 tines - stainless steel tank	SI3VA	1250 mm.	○	780 mm.	1280 mm.	380 lt.	Kg. 250
Burying fertilizer spreader 5 tines - iron tank	SI5VF	○	1500 mm.	780 mm.	1280 mm.	470 lt.	Kg. 295
Burying fertilizer spreader 5 tines - stainless steel tank	SI5VA	○	1500 mm.	780 mm.	1280 mm.	470 lt.	Kg. 330



stop manure unloading actuator



single valve setting

### Optional features



closed tubular roller



open cage roller

authorized dealer:



Modification can be appointed without advice.