



WHEN THINGS GET ROUGH

VINEYARDS TRIMMERS MOWER

VINEYARDS TRIMMERS MOWER

Thanks to its alternate cutting system, the trimmer Mower can perform clean cuts of the vineyard foliage, with high speed of advancement. Applicable to any kind of tractor to the front by purpose-built support. The frame is linked to the tractor by tie-rods for biggest safe conditions.

It can work near the soil thanks revolving shoot conveyors, one for each cutting bar. Dolmec's Trimmers frames are built of resistant section iron square tube and available into different configurations.



Description	Model
Trimmer "Mower" with single vertical bar and top	SLT

Trimmer "Mower" with single vertical bar and horizontal top.

Equipped with:

- reciprocating blade system,
- anti-shock absorption retractable system with self setting,
- hydraulic vertical tilt adjustment,
- hydraulic width adjustment,
- directional control valves.

Pedestal for storage.



Description	Model
Trimmer "Mower" with double vertical bar	DL

Trimmer "Mower" with double vertical bar.

Equipped with:

- reciprocating blade system,
- Anti-shock absorption retractable system with self setting,
- hydraulic vertical tilt adjustment,
- hydraulic width adjustment,
- directional control valves.

Pedestal for storage.



WHEN THINGS GET ROUGH

VINEYARDS TRIMMERS MOWER



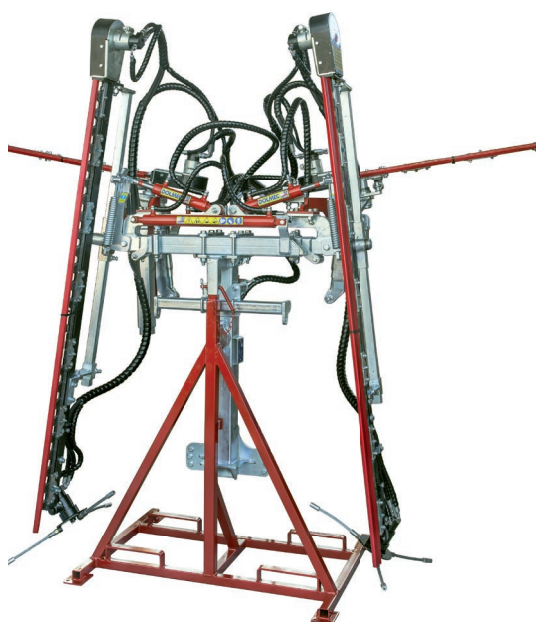
Description	Model
Trimmer "Mower" with double vertical bar and Top	DLT

Trimmer "Mower" with double vertical bar.

Equipped with:

- reciprocating blade system,
- anti-shock absorption retractable system with self setting,
- hydraulic vertical tilt adjustment,
- hydraulic width adjustment,
- directional control valves.

Pedestal for storage.



Description	Model
Trimmer "Mower" with double vertical bar and 2 Top	DL2T

Trimmer "Mower" with double vertical bar and double horizontal top

Equipped with:

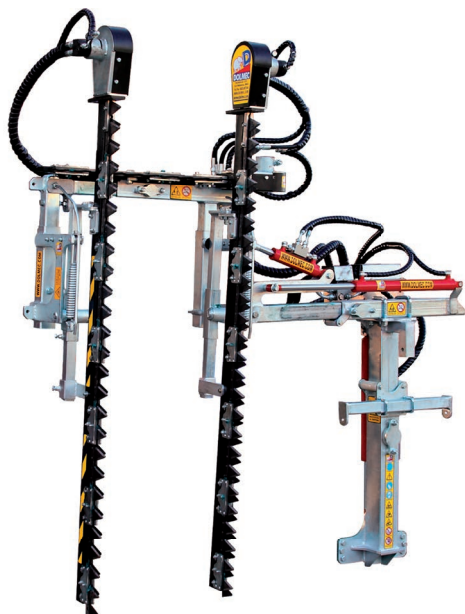
- reciprocating blade system,
- anti-shock absorption retractable system with self setting,
- hydraulic vertical tilt adjustment,
- hydraulic width adjustment,
- directional control valves.

Pedestal for storage.



WHEN THINGS GET ROUGH

VINEYARDS TRIMMERS MOWER



Description	Model
Trimmer "Mower" over-row "U shape"	CSCAV

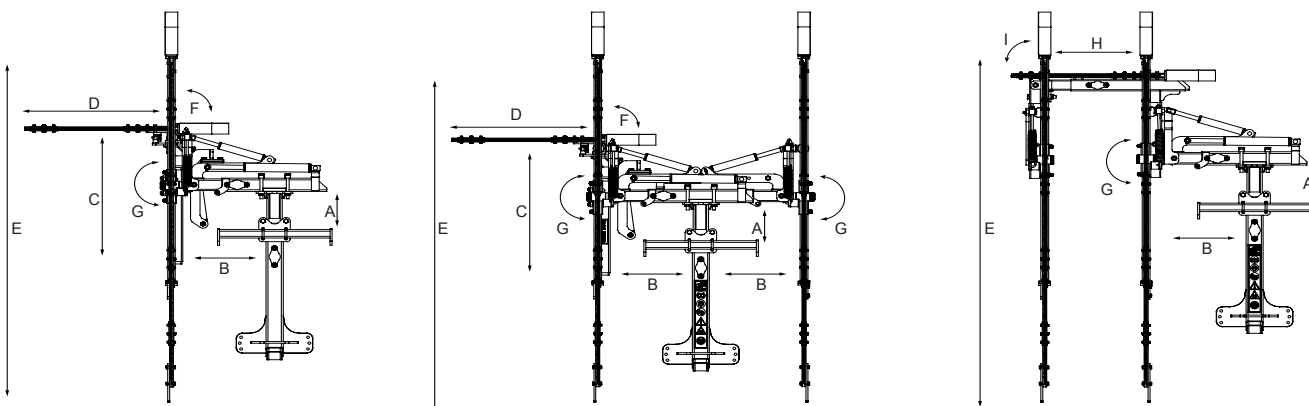
Trimmer "Mower" with over-row "U shape"

Equipped with:

- reciprocating blade system,
- anti-shock absorption retractable system with self setting,
- hydraulic vertical tilt adjustment,
- hydraulic width adjustment,
- directional control valves.

Pedestal for storage.

TECHNICAL DATA

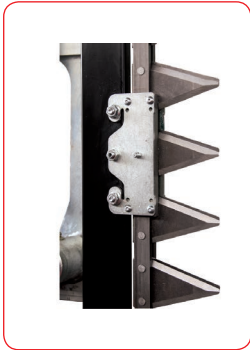


Model	A	B	C	D	E	F	G	H	I	weight
	height adjust	dx-sx movements	top vertical adjust	top lenght	cutting bar lenght	top tilt adjust	cutting bar tilt adjust	width adjust	external bar tilt adjust	
SLT	mm.500	mm.450	mm.450	mm. 800 mm.1000	mm.1750 mm.1900	0 /+20°	+/-15°	■	■	kg.210
DL	mm.500	da 900 a 1850	■	■	mm.1900	■	+/-15°	■	■	kg.230
DLT	mm.500	da 900 a 1850	mm.450	mm.1000	mm.1900	0 /+20°	+/-15°	■	■	kg.310
DL2T	mm.500	da 900 a 1850	mm.450	mm.1000	mm.1900	0 /+20°	+/-15°	■	■	kg.360
CSCAV	mm.500	mm.450	■	■	mm.1900	■	+/-15°	from mm. 400 up to mm. 700	manual	kg.265



WHEN THINGS GET ROUGH

VINEYARDS TRIMMERS MOWER



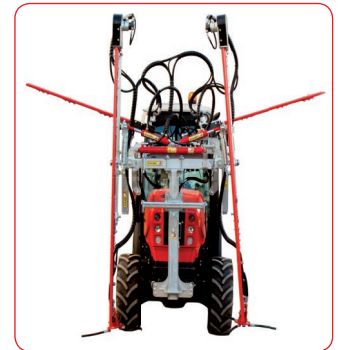
Mower cutting system



DLT



CSCAV



DL2T

Height of the horizontal cutter bar, width of work of the vertical cutter bars and their tilting can be adjusted manually, by directional control valves or by electronic control remote panel and joystick four axis. Vertical and horizontal cutting bars have anti-shock absorption retractable system with self setting mode.



solenoid valve group



joystick 4 axis

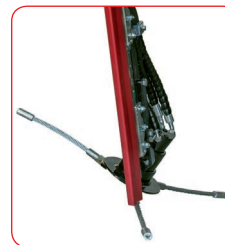


remote electronic panel



horizontal blade - top

Height work and tilting can be adjusted manually or by hydraulic systems



shoot conveyors

Pick up the shoot close to ground and guide them towards cutting bar for total cutting.



Independent hydraulic power unit (optional)

Hydraulic requirement is 25 lt./min. It is preferred to use an independent hydraulic system with double pumps, gears multiplier, oil filters, max pressure valve and oil cooler radiator. (optional)

(60 lt capacity oil tank)

authorized dealer:



Modification can be approved without advice.