



WHEN THINGS GET ROUGH

HYDRAULIC POWER UNITS

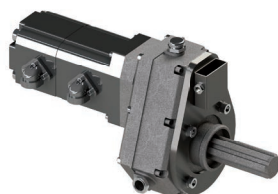
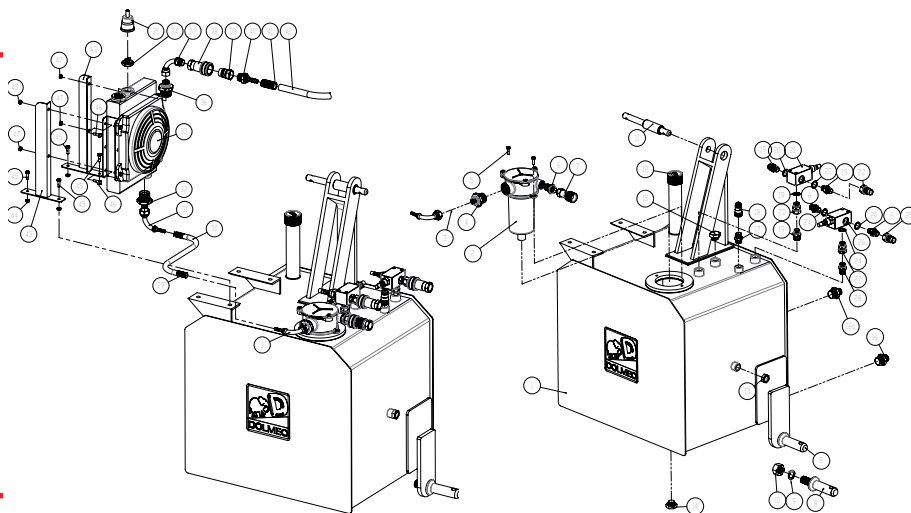


HYDRAULIC POWER UNIT

During vineyards management, people use more technologically advanced machines, that need high flow rates and lower oil temperature. Many times tractors are not able to supply adequate hydraulic flow. Dolmec to remedy to this problem makes hydraulic power units able to supply appropriate oil flow rates to bleed vineyards machines. Dolmec's hydraulic power units have different capability tank and are equipped with various accessories depending your needs. They have three point Cat 2, or can be directly attached on machines.

Dolmec Hydraulic power units equipments

- P.T.O. gear box
- hydraulic pump group 2 or 3
- inlet filter
- outlet filter
- relief valve
- oil heat exchanger
- oil level sight glasses
- oil drain/filling plug
- implement mounting pins



authorized dealer:



Modification can be appornted without advice.