



WHEN THINGS GET ROUGH

POSTDRIVER 3 MOVEMENTS

POST DRIVER 3 MOVEMENTS PPH3

The Dolmec post driver is the best and stronger on market. It's perfect to drive any post in vineyards, orchards or for fencing. The only one with shaped frame and tubular steel sections dimensioned to support any type of exertion and torsion. The mast has large plate to minimize settings speeding up your job. Easy installation, taking only a few minutes to mount or detach from your tractor by universal plate or brackets. Great for replacement of damaged or broken posts or for grubbing operations. It is installed laterally at crawler machine or at three point hitch by special bracket at wheeled tractor.

Available in two version:

- height work up to 98 inches **PPH3250**
- height work up to 118 inches **PPH3300**

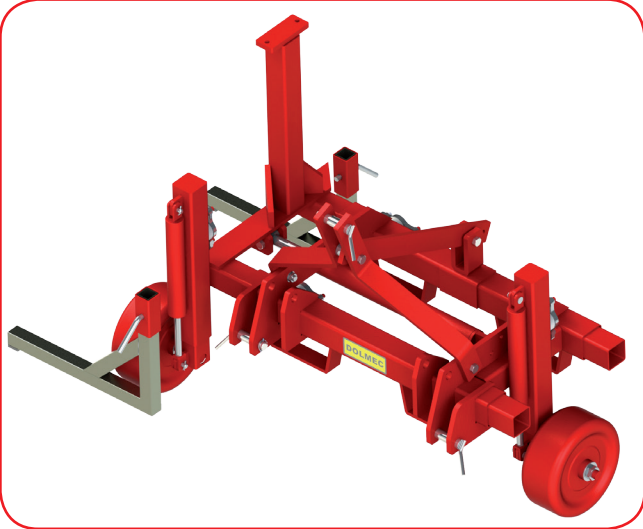


Code	Optional Post driver 3 movements
DI3L	Three levers hydraulic distributor
SPPL	3 point hitch linkage Rear bracket
MIP50CC	Hydraulic percussion hammer 50 cc
TRPP	Hydraulic auger



WHEN THINGS GET ROUGH

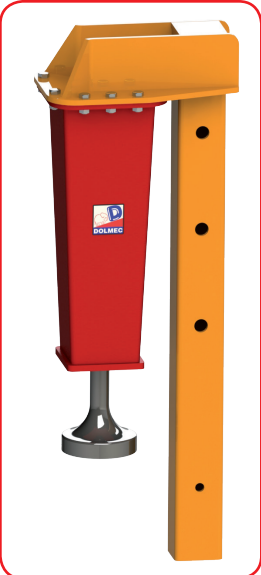
POSTDRIVER 3 MOVEMENTS



SPPL

3 point hitch linkage Rear bracket

Brackets are available for wheeled tractor with width from mt.1,30,with adjustable weels for work in total safe.



MIP50CC

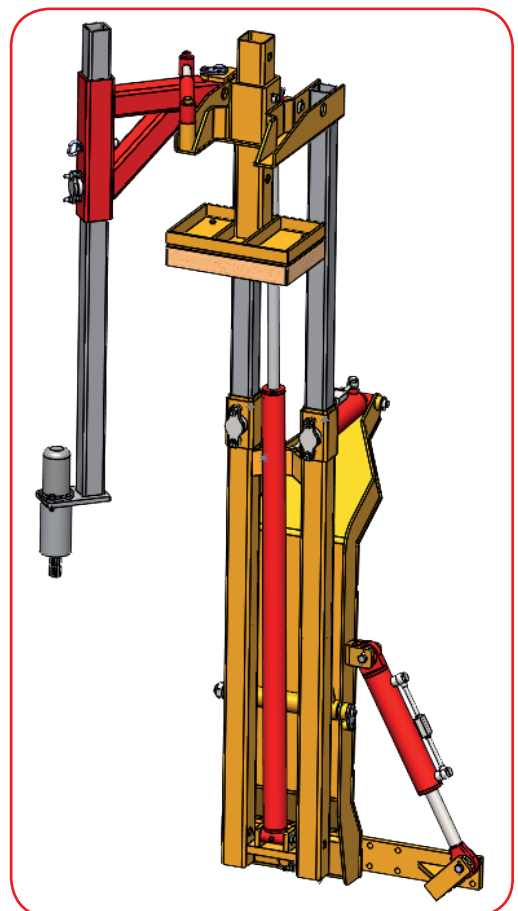
HYDRAULIC PERCUSSION HAMMER 50 CC

It allows to put any post into any hard and compact soil.

TRPP

Auger applied to post driver

- Drills through all soil condition
- Able to screw earth anchors in soil
- Easy installation directly on post driver to give perfect movements.
- Down pressure cylinder allows operator to apply force required
- Reversible hydraulic motor

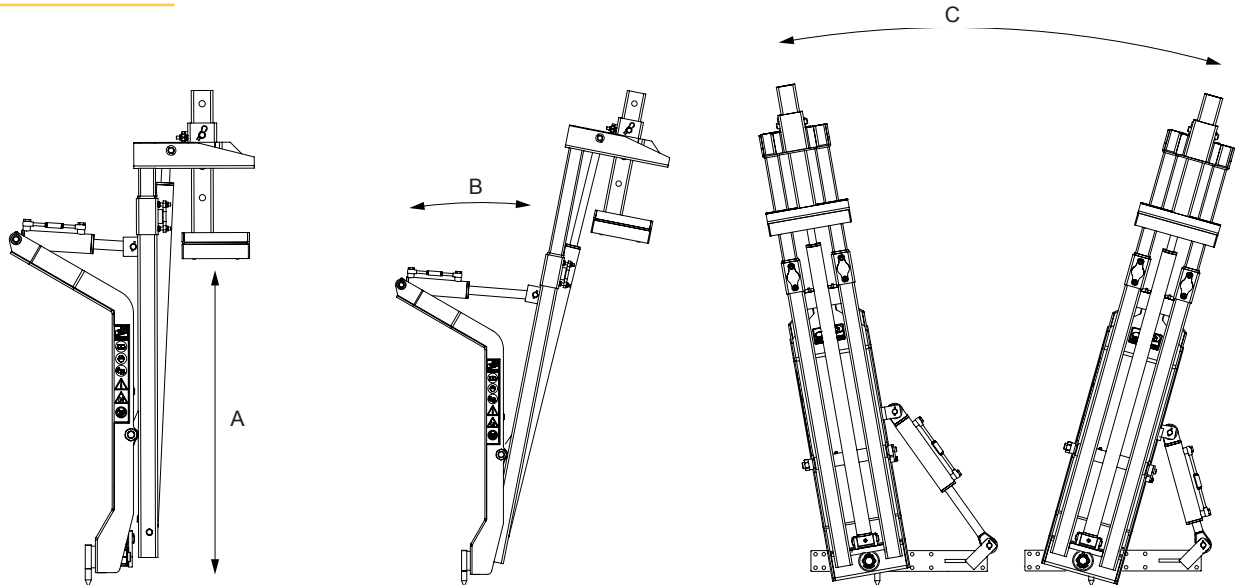




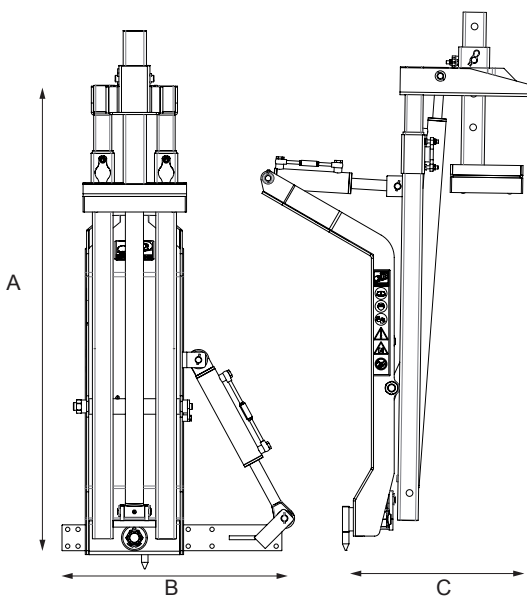
WHEN THINGS GET ROUGH

POSTDRIVER 3 MOVEMENTS

TECHNICAL DATA



Model	A Height work	B Tilt Right-Left	C Angolo Avanti Dietro
PPH3250	from mt. 1,00 up to mt.2,50	from +15° up to -12°	from +17° up to -18°
PPH3300	from mt. 1,50 up to mt.3,00	from +15° up to -12°	from +17° up to -18°



Model	A	B	C	Weight
PPH3250	1.550 mm.	850 mm.	550 mm.	265 kg.
PPH3300	1.800 mm.	850 mm.	550 mm.	320 kg.

authorized dealer:



Modification can be apponted without advice.