



WHEN THINGS GET ROUGH

# VINEYARDS SUBSOILER

## VINEYARDS AERATOR SUBSOILER

The subsoiler allows hard or stony compacted soil breaking for a well-drained soil facilitating the transfer to the plant of all those fundamental nutrients for its proper growth. At the same time the soil is aerated by the oxygen that permits the correct development of the plants roots towards the center of the row.

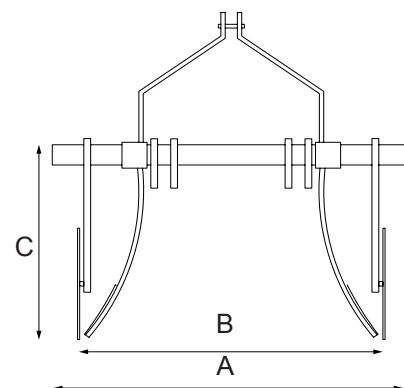
It has curved anchors for not alterate the soil setted manually for width work adjustment. Two sharpened wheels avoid weed standing on the curved blades. A tubular or a cage formed roller can be applied to regulate working depth up to 40 cm.



## TECHNICAL DATA

Model	A	B	C	weight
ARIEG	mm.	mm.	mm.	Kg.

Model	A	weight
RGARIEG	cage formed roller	kg. 72
RCARIEG	tubular closed roller	kg. 105



michel type blades

authorized dealer:



Modification can be appornted without advice.