



WHEN THINGS GET ROUGH

VIBROSPRING TINES CULTIVATOR

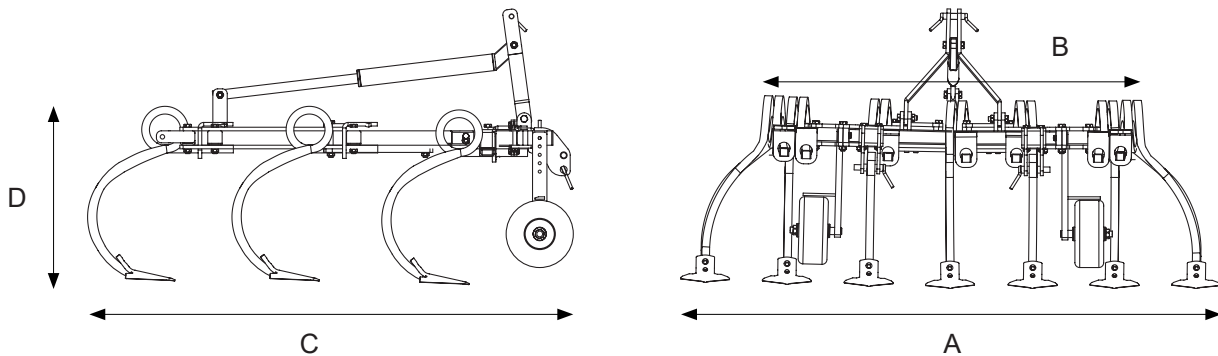


VIBRO SPRING TINES CULTIVATOR "VIBROSPRING"

This cultivator is especially used for tillage in vineyards in any type of soils. After just one passage, an excellent mixture is reached. The constantly-vibrating spring tines leave an open soil structure. It has a special hydraulically width-adjustable frame and very high quality special 32X32 mm.spring tines .

Equipped with iron wheels to setting depth of work. External spring have special shape for a closer action near the vine trunks. Possibility to install lateral anchors for weed removers. Hydraulic 90° overturning frame optional
Available with 7, 9 spring tines.

TECHNICAL DATA

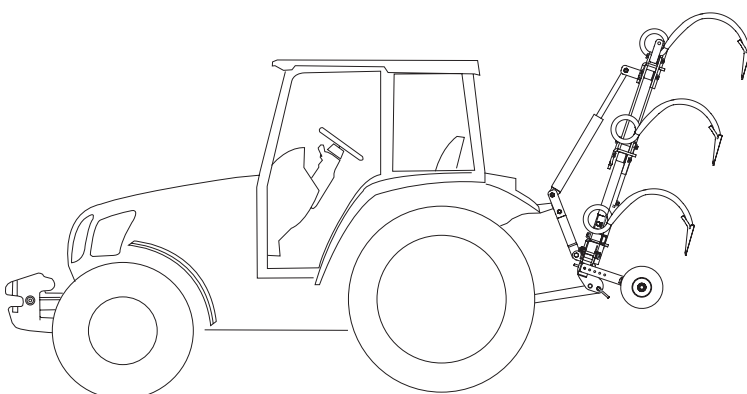


VIBROSPRING							
Model	anchors	A	B	C	D	hp	Peso
VSPR7	7	da mt. a 2,25	mt.	mt.	mt. 0,77	90 hp*	kg.480
VSPR9	9	da mt. 2,05 a 2,50	da mt. 1,28 a 2,50	mt.1,95	mt. 0,77	100 hp*	kg.590

OPTIONAL:

- 90° overturning frame
- tubular roller
- cage roller
- cleaning disk

* crawled tractor



distribuito da:

la Ditta si riserva di apportare modifiche e cambiamenti senza alcuna comunicazione.