

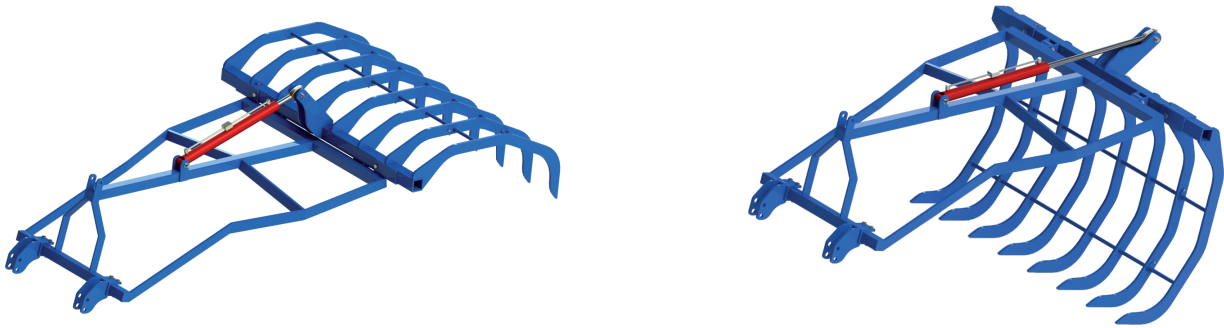


WHEN THINGS GET ROUGH

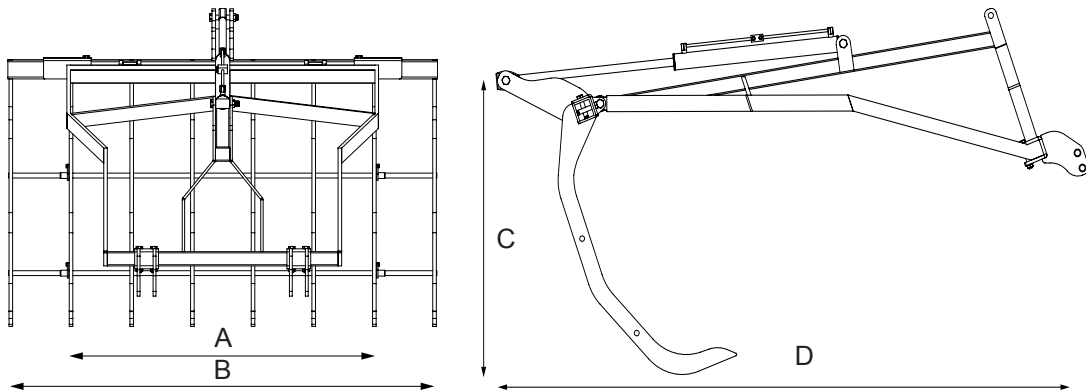
VINE SHOOT COLLECTOR POWER

VINE SHOOT RAKE POWER

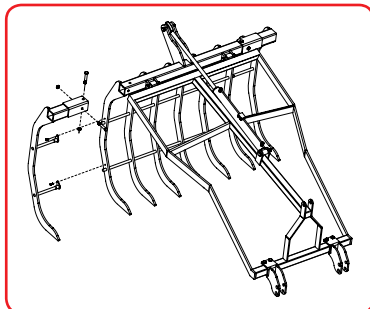
The vine shoot collector is able to rake and pick up vine pruning in vineyards, pruning wood in orchards and olive groves. It's equipped with eight adjustable no wearing steel teeth . The external ones are removable for easier entry in narrow rows. An hidraulic devise allows to collect more waste pruning for less rows passage. In the same way is used for an easier shoots unloading. 3 points attachment for any type of tractor



TECHNICAL DATA



Model	A	B	C	D	Weight
RACSA	1300 mm.	1800 mm.	1300 mm.	2100 mm.	Kg. 260



Width work adjustment

authorized dealer:



Modification can be apported without advice.