



WHEN THINGS GET ROUGH

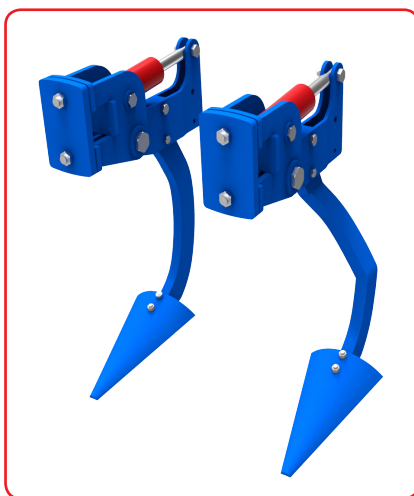
VINEYARDS HYDROPNEUMATIC PLOWS

VINEYARDS HYDROPNEUMATIC NO STOP SYSTEM PLOWS

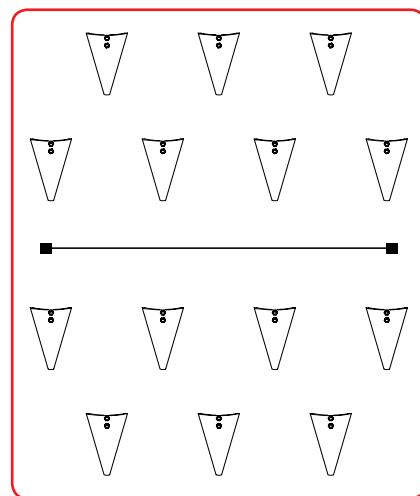
Vineyards plows are built in structural square tube specially developed for vineyard. The frame is equipped with anchors in Hardox consisting of a unique piece without welded parts. Low fuel consumption thanks to lower power demand.

The external anchors have a particular shape to work nearest the vine trunks. Safety high resistance bolts to prevent anchors damage. Additional holes at lateral anchors make attaching other equipment easy.

Depth control wheels. Available plows with 5 and 7 and 5+2 anchors. The frame can be overturned for easily changing of the rows. No-Stop system hydraulic cylinders without pilot boss in unique piece without welded parts.



anchors with no block device



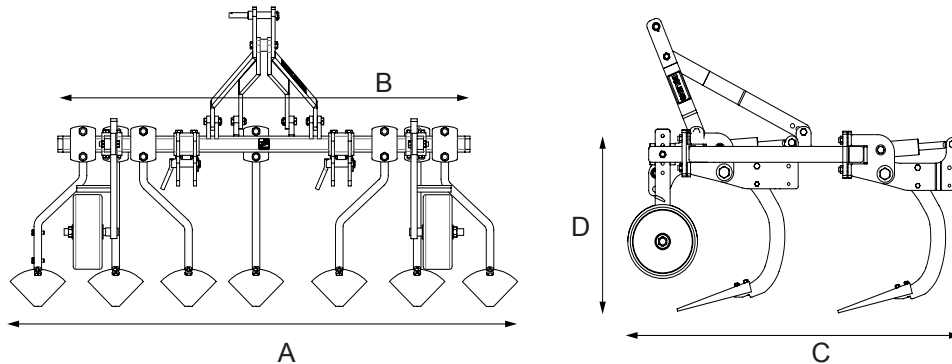
different configuration permissible



WHEN THINGS GET ROUGH

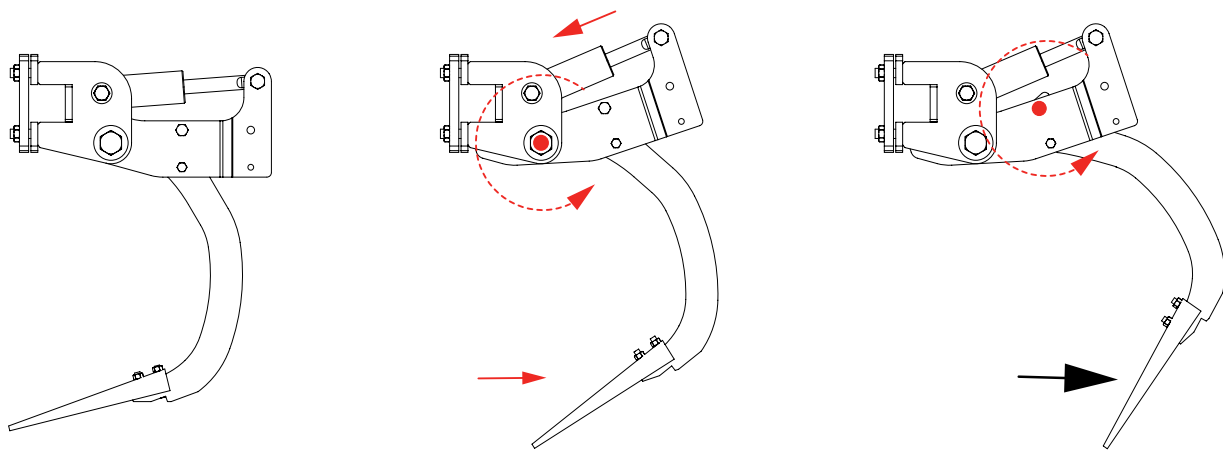
VINEYARDS HYDROPNEUMATIC PLOWS

TECHNICAL DATA



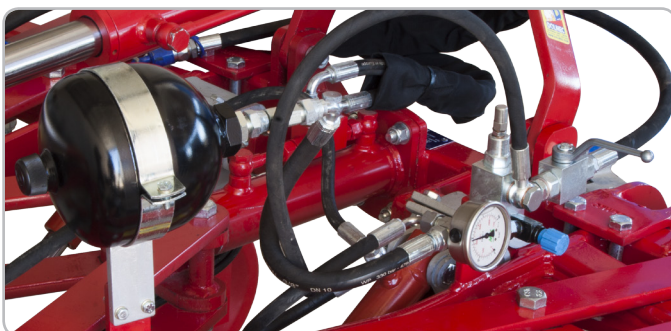
VINEYARDS HYDROPNEUMATIC NO-STOP PLOWS

Model	Description	A	B	C	D	Weight
AVPN5	5 anchors plows+depth adjustment wheels	mm. 1800	mm. 1200	mm. 1400	mm. 750	Kg.460
AVPN7	7 anchors plows+depth adjustment wheels	mm. 2200	mm. 1600	mm. 1400	mm. 750	Kg.565
AVPN5+2	5+2 anchors plows+depth adjustment wheels	mm. 2200	mm. 1600	mm. 1400	mm. 750	Kg.610
AVPN9	9 anchors plows+depth adjustment wheels	mm. 2600	mm. 2000	mm. 1400	mm. 750	Kg.675
AVPN7+2	7+2 anchors plows+depth adjustment wheels	mm. 2600	mm. 2000	mm. 1400	mm. 750	Kg.720



HYDRAULICALLY NO STOP SAFETY SYSTEM

The hydropneumatic plow has a no-stop safety system. Every anchor has a cylinder fitted to an hydraulic system. The pressure is managed by a ball nitrogen accumulator with a regulator valve. It allows fast oil return allowing the anchors to overcome the obstacle with a gradual return to avoid kickback.



authorized dealer:



Modification can be apported without advice.